

**Alde**<sup>®</sup>

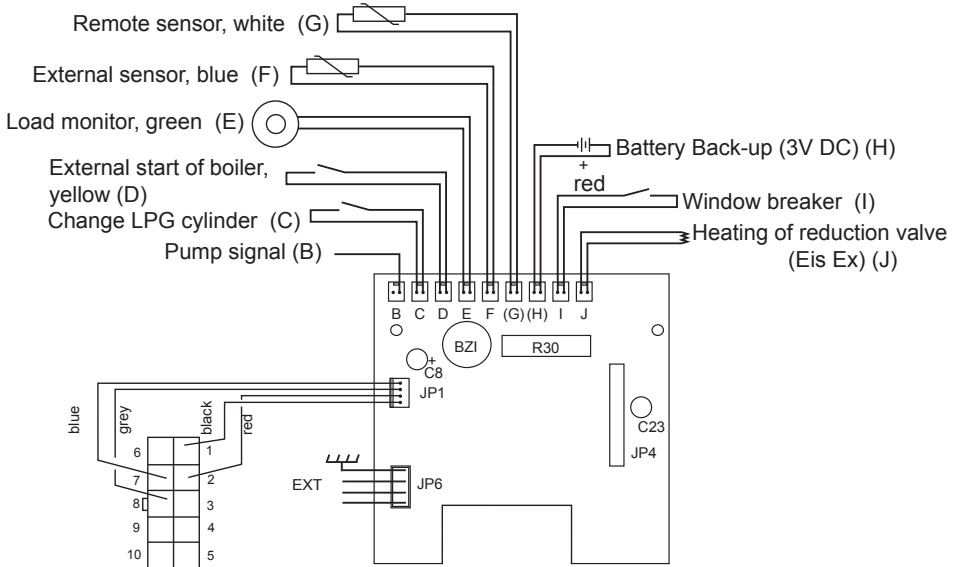
**Alde International Systems AB**

Wrangels allé 90 • Box 11066 • S-291 11 Färlöv • Sweden  
Tel +46 (0)44 712 70 • [www.alde.se](http://www.alde.se) • [info@alde.se](mailto:info@alde.se)

## CABLE CONNECTION BETWEEN BOILER COMPACT 3010 AND CONTROL PANEL 3010 613

Connect accessories to the control panel as shown in the diagram below. **N.B.** Do not cramp 12 V cables or sensor cables together with 230 V cables. It is preferable not to place the cables close to each other. If the cables are bundled, the risk of shutdown increases.

### Back of control panel



Make a hole for the panel as shown in figure B. Screw down the panel and push the front part on. Clip on the cables to avoid wear on the terminal strip of the panel.

**Figure B.**

